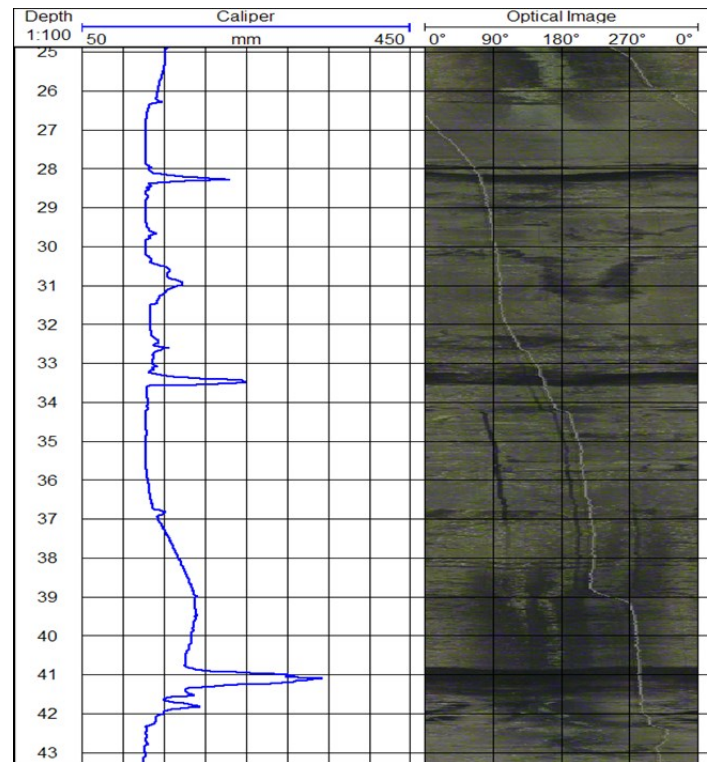
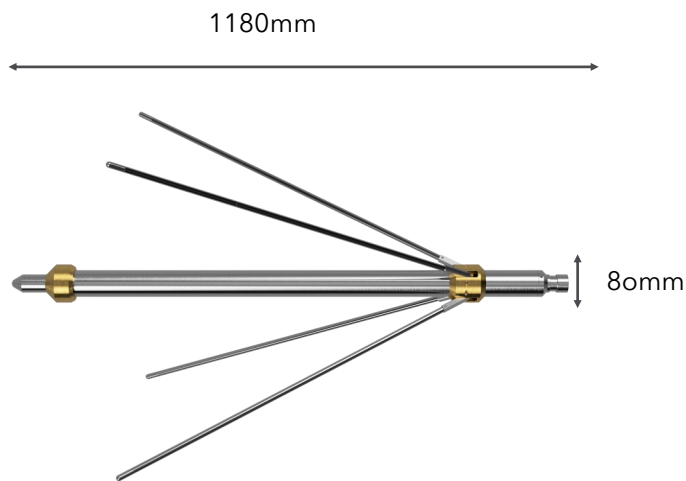




4-ARM CALIPER TOOL

Tool overview

This tool measures the mean diameter of boreholes. The four arm caliper tool is used to check the integrity of borehole linings, and where a borehole is unlined to identify zones of washout, breakout or fissures. For narrower boreholes (<400mm) the 2 or 3 arm calipers give greater resolution than a 4 arm caliper.



Example caliper log showing fractures seen in the optical image

Logging conditions

2–9m/min
Free running

Borehole Conditions

Dry or fluid filled
Unlined or lined

Features and benefits

- Caliper is useful first log to determine borehole conditions
- Mechanical arms contact the borehole wall to record the mean diameter

Specifications

Size	1180 x 80mm
Weight	18kg
Range	100–1500mm
Max. temperature	80°C
Max.pressure	20MPa

Why European Geophysical Services?

European Geophysical Services offers excellent and reliable field service coupled with many years of geophysical interpretation experience, efficient data processing and high-quality reporting. All our field operators are graduate geologists or geophysicists with data acquisition and interpretational experience able to give on site analysis and interpretations. For more information, please call 01939 210710 or email office@europeangeophysical.com.